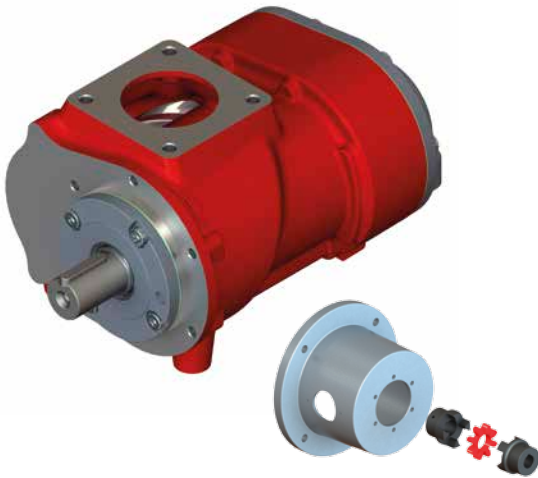


# OIL- INJECTED AIR-END V90

www.vmcitaly.com  
www.vmc-usa.com



## MAIN FEATURES:

**ROTOR PROFILE:** VMC has engineered its own rotor profile in order to reach maximum performance even in the most extreme conditions and guarantee efficiency and duration. This means higher air-flow rate for less energy consumption. **ROTOR Adjustment:** Threaded nuts are used to adjust rotors for a very fast and reliable maintenance. **BEARINGS:** Radial and thrust bearings have been engineered for generous reserve. Only first-quality bearings are used. **SHAFT SEAL:** An excellent reliability of shaft seal, thanks to the use of first-rate quality materials leads to no oil leakages. **VERSIONS available:** belt and gear-driven. **DIRECT DRIVEN:** Air-ends can be supplied with relative direct-driven kit (bell housing + spider couplings).

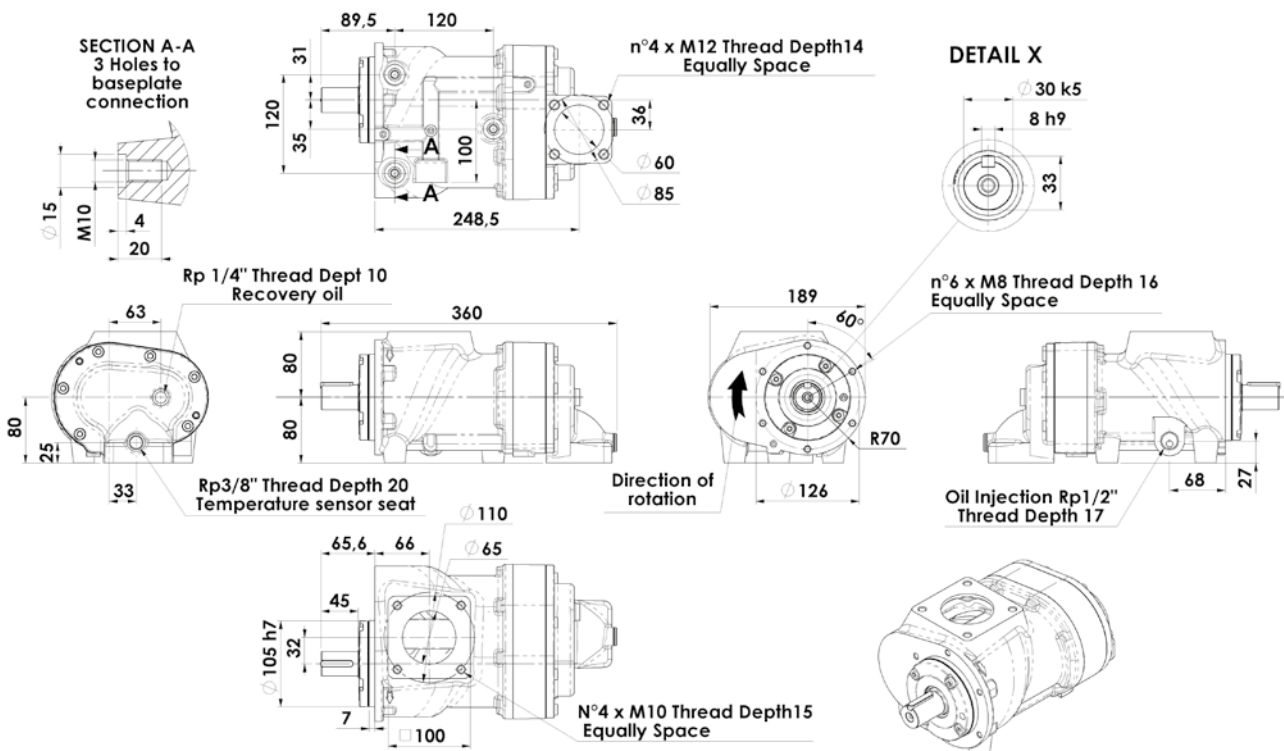
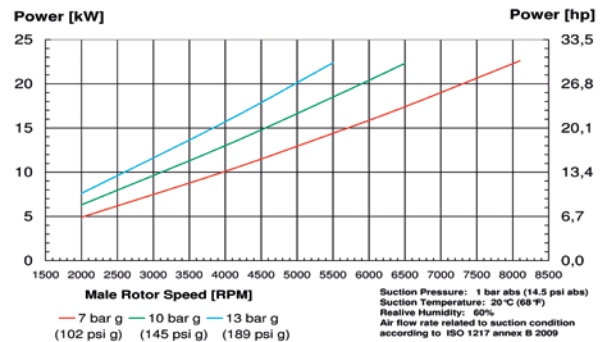
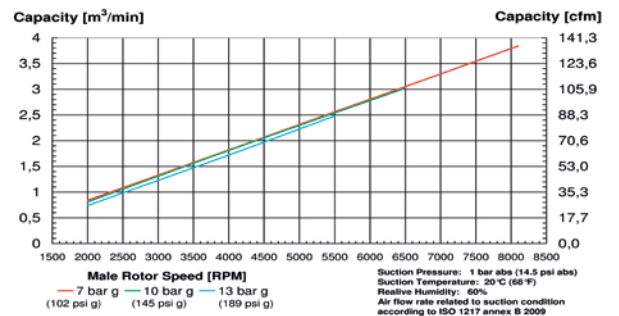
**SPECIAL APPLICATION:** Air-end are also available for Natural Gas applications.

## MAINTENANCE:

The wear-and-tear of air-end components depends on compressor applications and operating parameters. Air-end inspection and ordinary maintenance are recommended using VMC's original spare parts kits whose instructions are indicated in the maintenance and trouble-shooting document.

TECHNICAL DATA		V90	V90G
Outside male diameter:	mm - inch	89,4 - 3,51	
Outside female diameter:	mm - inch	71,2 - 2,8	
L/D:		1,55	
Air Capacity (ISO 1217 ANNEX B 2009)	m <sup>3</sup> /min	0,76 - 3,83	
	cfm	27 - 135	
Max Working Pressure	bar g - psi g	13 - 189	
Min Working Pressure	bar g - psi g	5 - 73	
Oil injected Quantity	L/min	29 - 40	
	gal/min (US)	7,7 - 10,5	
Max Input Power	kW	22	
	hp	30	
Max main rotor speed	rpm	8100	
Max outlet air/oil Temperature	°C - °F	105 - 221	
Weight	kg - lb	25,5 - 56,2	33 - 73

Air flow rate related to suction condition according to ISO 1217 Annex B 2009: relative humidity=60%; suction press. (abs)=1 bar; suction temp.=20°C; disch. temp.=80°C



# INTEGRATED SYSTEM V90/VTDM PACK SMART V90G

www.vmcitaly.com  
www.vmc-usa.com



## Integrated System V90/VTDM

## Pack Smart V90G

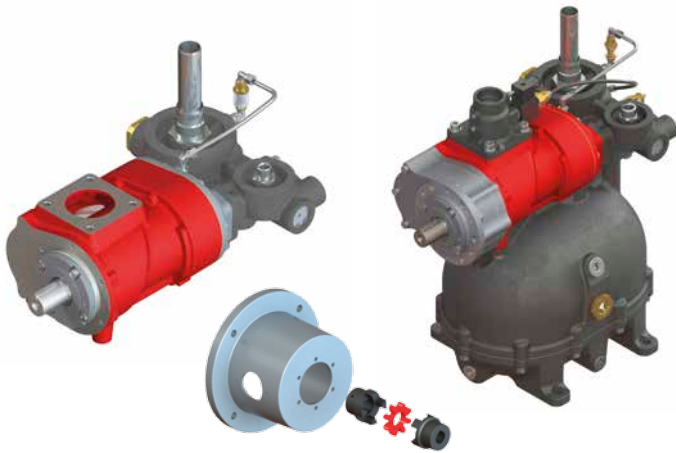
## MAIN FEATURES:

**AIR-END:** Top-quality components and cutting-edge technology ensure reliability and long-lasting performance. Available in belt and gear-driven versions.  
**INTAKE VALVE:** Different working systems available: E (on-off), PM (totally pneumatic), P (hybrid) and NR (only with a check valve).  
**COMBINATION BLOCK SYSTEM:** It includes a thermostatic and minimum pressure valve, supports for spin-on separators and oil filters, a relative wide range of nipples. Thermostatic units available at different working temperatures.  
**OIL RECOVERY VIEWER:** Equipped with a check valve and calibrated nozzle.  
**SAFETY VALVE:** CE certified, available for different working pressures.  
**TANK SEPARATOR:** Tested and certified for working pressures up to 15 bars. Equipped with filling plug, drainage tap and oil level viewer. Different certifications (CE, ASME, etc.) provided upon request.  
**FILTERS:** air, oil and separator filters supplied separately on demand.  
**DIRECT DRIVEN:** Integrated and Pack Smart systems supplied with relative direct-driven kit (bell housing + spider couplings).

**SPECIAL APPLICATION:** PackSmart are also available for Natural Gas applications.

## MAINTENANCE:

The wear-and-tear of the Integrated and PackSmart systems depends on compressor applications and operating parameters. Their inspection and ordinary maintenance are recommended using VMC's original spare parts kits whose instructions indicated in the maintenance and troubleshooting document.



Pack Smart V90D

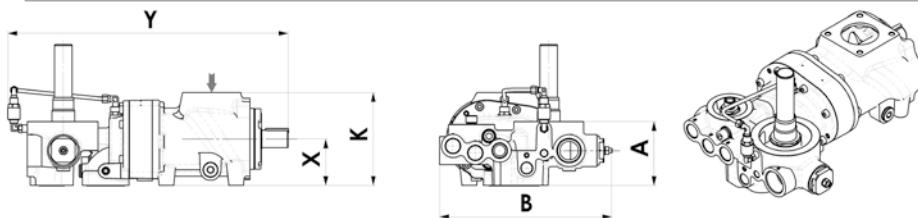
TECHNICAL DATA		For performances data see V90 technical data	
Oil Inlet/Outlet	inch	3/4" Gas	
Air outlet (From Air-end)	mm - inch	Ø60 - Ø2,36	
Air Inlet (From Tank)	inch	1 1/4" Gas	
Air outlet (From MPV)	inch	1 1/4" Gas	
Oil nipples Size	inch	3/4"-16 UNF or 3/4"GAS or 1"-12 UNF	
Air nipples Size	mm	M32x1,5 or M39x1,5	
Thermostat Temperature Setting available	°C	55-70 or 71-85 or 83-95	
	°F	131-158 or 159,8-185 or 181,4-203	

Materials Unit is made in anodized aluminium alloy, steel and cast iron. Inside parts in aluminium alloy, steel, brass and FPM/FKM sealing.

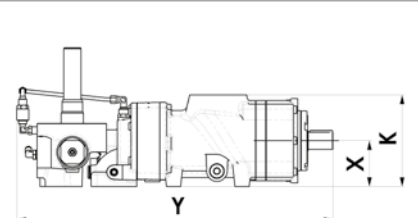
Dimensions		V90/VTDM	V90G/VTDM	Pack Smart V90	Pack Smart V90G
Weight	kg - lb	30 - 70,5	36.5 - 80,5	67 - 147	73.5 - 162
Y	mm - inch	482 - 18,97	553 - 21,8	522 - 20,6	593 - 23,3
X	mm - inch	80 - 3,15		389 - 15,31	
K	mm - inch	160 - 6,3		549 - 21,61	
B	mm - inch	300 - 11,81		345 - 13,6	
A	mm - inch	110 - 4,33		418 - 16,46	

Attention: The drawing below is not suitable for all models. Please log on to our website for specific drawings.

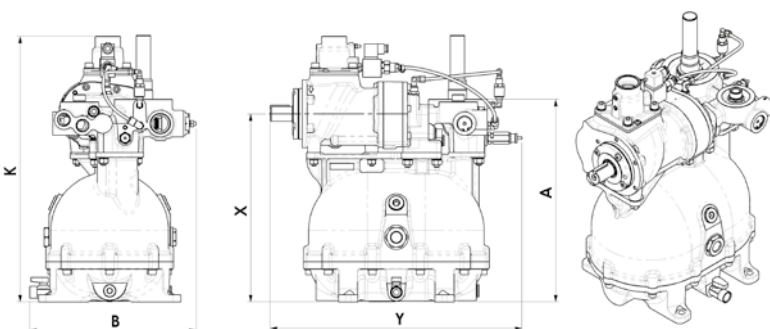
## V90 / VTDM



## V90G / VTDM



## Pack Smart V90



## Pack Smart V90G

