



LogikaControl

We
know
how

LOGIK 26-S

Electronic Controller Logik 26-S

Logik 26-S is an industrial electronic control device suitable for the operation of medium-big size screw compressors, both ON/OFF and Inverter Technology.

Easy to install and set, Logik 26-S allows the visualization in real time (9 different languages) of the compressor status through the wide back-light LCD provided; it detects also any type of failure, turning off the machine automatically. Thanks to the time keeper, Logik 26-S is able to programm 3 daily working cycles in a week.

Logik 26-S is provided with nr. 2 serial ports RS485. One suitable for the connection to a PC through Logik Ethernet Interface (remote monitoring) or to other compressors equipped with Logik 9, Logik 19, Logik 26-S, Logik 33-S for Master/Slave or Multiunit operation. The second one used to communicate with interver.



• **Visualizations and messages in 9 different languages**

• **Visualizations:**

- pressures
- temperatures
- compressor status
- alarms

• **Easy to set**

Setting parameters on 3 password levels

• **Emergency led**



LogikaControl

Via Garibaldi, 83A - 20834 Nova Milanese (MB) Italy
Tel. +39/0362/3700.1 - Fax +39/0362/370030

www.logikacontrol.it



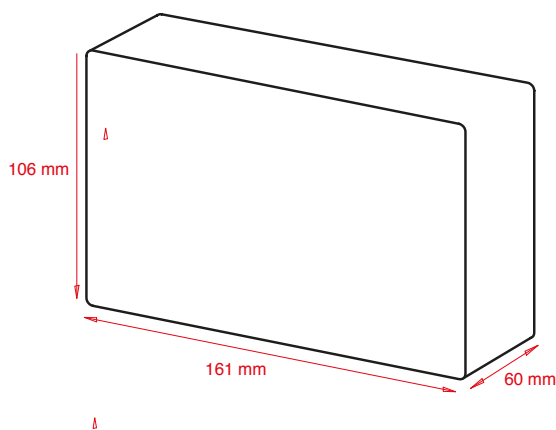


LOGIK 26-S TECHNICAL FEATURES

- Conformity to EC and UL 508 regulation
- Inputs and outputs via terminal-block board to wires
- Black auto-extinguishing box in ABS
 - a) according EC:
IP64 for the front panel and IP20 for the other parts;
 - b) according UL:
Type 1 and Type 12 for front panel mounting,
installation in pollution degree 2 for the other parts
- Working temperature: 0°C (32°F) ÷ 50°C (122°F) 90% RH (non condensing)
- Storage temperature: -20°C (-4°F) ÷ 70°C (158°F)
- Power supply: 12Vac ± 10% 50 ÷ 60 Hz
- Visualization through back light graphic LCD (128x256 dots) and nr. 1 led for alarm status
- Messages selectable into 9 languages: Italian – English – French – German – Spanish – Portuguese – Turkish – Russian – Polish.
- nr. 6 key buttons: increase, decrease, enter, reset, start, stop,
- nr. 1 input for temperature probe to detect air-end temperature
- nr. 1 input for pressure transducer
- nr. 1 input for auxiliary pressure transducer or analog data from inverter
- nr. 3 digital inputs for connection to control phases Logika Control
- nr. 1 input for PTC or Klicson for motor protection
- nr. 7 opto isolated digital inputs 12/24Vac to detect:
 - IN 1 = emergency stop button
 - IN 2 = thermal motor
 - IN 3 = thermal fan
 - IN 4 = remote start/stop
 - IN 5 = air filter pressure switch
 - IN 6 = separator filter differential pressure switch
 - IN 7 = settable via software into: door of the electrical cabinet open – control phase relay – generic alarm
- nr. 7 outputs via relay with contact 1.5A max.:
 - RL1 = line contactor
 - RL2 = delta contactor (settable)
 - RL3 = star contactor
 - RL4 = load solenoid valve
 - RL5 = fan contactor (settable)
 - RL6 = condensate drain (settable) ,
 - RL7 = alarm (also settable via software into: alarm or compressor status)
- nr. 1 time-keeper with buffer battery, around 10 years electrical life
- Power supply input 24Vdc ± 10%, max 100mA for PNP outputs
- nr. 1 input 24Vdc inverter to detect inverter fault
- nr. 2 digital outputs PNP for inverter control (run and fixed frequency)
- nr. 1 output 4-20 mA for inverter fan operation
- nr. 2 serial ports RS485 for:
 - Master/Slave or Multiunit operation, connecton to PC or Ethernet Interface (remote monitoring) - communication with inverter
 - Non volatile memory to store setting data, working hours,compressor status, alarm list
 - Check min. and max. power supply to the controller
 - The controller switches OFF due to micro interruption longer than ~ 300 ms

ACCESSORIES:

- nr. 1 temperature probe KTY 13.5 with rubber silicone cable TPE, length 2.5 m, working range -10° ÷ 130°C, resolution 1°C, precision ± 1°C, to detect air-end temperature
- nr. 1 Logika control phases unit:
 - for power supply 380 ÷ 400V three phase
 - for power supply 230V three phase
 - for power supply 440 ÷ 460V three phase
- nr. 1 pressure transducer 4-20 mA for working pressure control: 2 wires, AISI 316L stainless steel membrane, working range 0 ÷ 15 bar, resolution 0,1bar, precision ± 0,1bar.

**LogikaControl**

Via Garibaldi, 83A - 20834 Nova Milanese (MB) Italy
Tel. +39/0362/3700.1 - Fax +39/0362/370030