



Electronic Controller Logik 9

Logik 9 is an industrial electronic control device suitable for the operation of low-medium size screw compressors with basic functions. Thanks to the input for pressure transducer, settable via software, Logik 9 allows to operate the compressor also by electromechanical pressure switch. Logik 9 is provided with nr. 1 serial port RS485 suitable for the connection to PC through Logik Ethernet Interface (remote monitoring) or to other compressors equipped with Logik 9, Logik 19, Logik 26-S, Logik 33-S for Master/Slave or Multiunit operation.



Pressure - Temperature and alarms constantly monitored

Visualizations:

- working pressure
- working temperature
- working hours
- maintenance timer

Alarms:

- wrong rotation
- generic alarm
- high temperature alarm
- warning high temperature
- probe failure
- low temperature
- power failure
- starts/hour
- security pressure switch
- high pressure alarm
- transducer failure
- emergency stop button

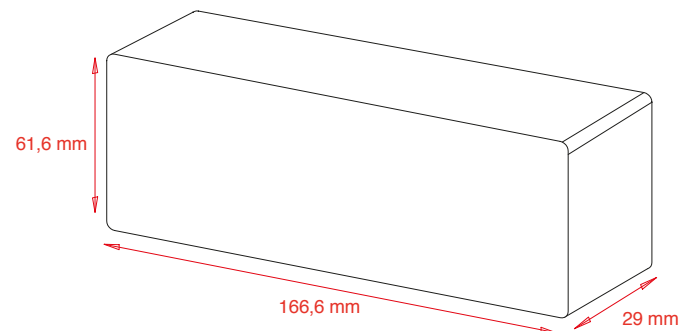




- Conformity to EC and UL 508 regulation
- Inputs and outputs via terminal-block board to wires
- Black auto-extinguishing box in ABS
 - a) according EC:
IP64 for the front panel and IP20 for the other parts;
 - b) according UL:
Type 1 and Type 12 for front panel mounting,
installation in pollution degree 2 for the other parts
- Working temperature: -10°C (14°F) \div 50°C (122°F)
90% RH (non condensing)
- Storage temperature: -20°C (-4°F) \div 70°C (158°F)
- Power supply: $12\text{Vac} \pm 15\%$ $50 \div 60$ Hz
- Visualization through custom LCD
- nr. 4 key buttons: Start/Stand by + 3 function buttons
(up-down-enter)
- nr. 1 input for temperature probe to detect air-end
temperature
- nr. 1 input settable via software into pressure transducer
or electromechanical pressure switch
- nr. 4 opto isolated digital inputs $12/24\text{Vac}$ to detect:
 - IN 1 = emergency stop button
 - IN 2 = OR alarms
 - IN 3 = phase sequence relay
 - IN 4 = remote start/stop (settable)
 - IN 4 = air filter pressure switch (settable)
- nr. 5 outputs via relay with contact 1.5A max. :
 - RL1 = line contactor
 - RL2 = star contactor
 - RL3 = delta contactor
 - RL4 = load solenoid valve
 - RL5 = alarm or fan contactor (settable)
- nr. 1 serial port RS484 for:
 - Master/Slave or Multiunit operation, connecton to PC
or Ethernet Interface (remote monitoring)
- Non volatile memory to store setting data, working
hours, compressor status, alarm list
- Check min. and max. power supply to the controller
- The controller switches OFF due to micro interruption
longer than ~ 300 ms

ACCESSORIES:

- nr. 1 temperature probe KTY 13.5 with rubber silicone
cable, length 2.5 m, working range $-10^{\circ} \div 130^{\circ}\text{C}$,
resolution 1°C , precision $\pm 1^{\circ}\text{C}$, to detect air-end
temperature
- nr. 1 pressure transducer 4-20 mA for working pressure
control: 2 wires, AISI 316L stainless steel membrane,
working range $0 \div 15$ bar, resolution $0,1\text{bar}$,
precision $\pm 0,1\text{bar}$.

**LogikaControl**

Via Garibaldi, 83A - 20834 Nova Milanese (MB) Italy
Tel. +39/0362/3700.1 - Fax +39/0362/370030

www.logikacontrol.it



APRIL 2015 EDITION